

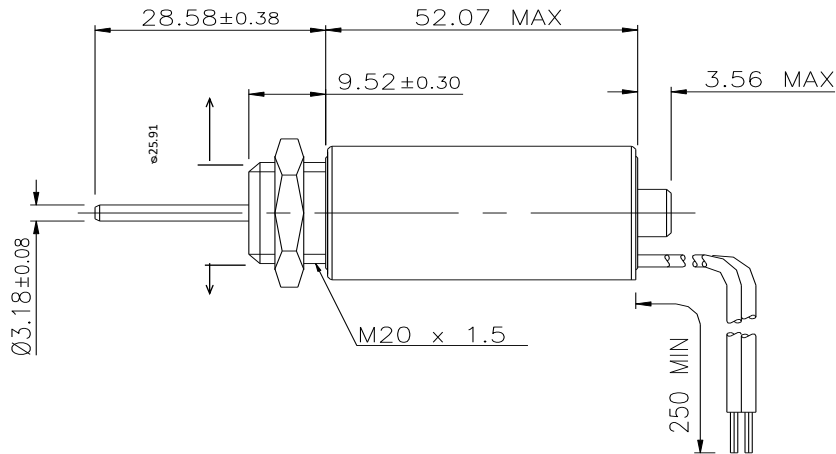
Tubular Solenoid

Linear - Push - SDT 2652S



NSF
Innovative solutions
for a changing world

Dimensions



Solenoid shown in energised position.

General Specifications

Dielectric Strength:

1000 VRMS

Coil Resistance:

+/- 5% tolerance

Holding Force:

29.4 N @ 20° C

Weight: 171 g

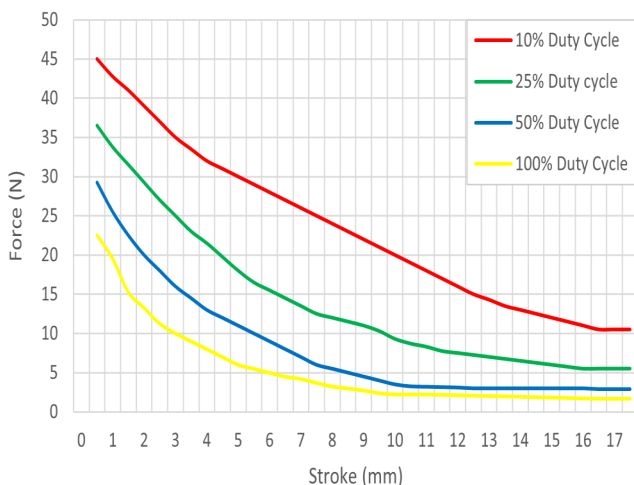
Plunger Weight: 30.2g

Recommended Heat

Sink: Maximum watts dissipated by the solenoid are based on an unrestricted flow of air at 20° C mounted on the equivalent of an aluminium plate 102 x 102 x 3.2mm min.

Performance Specifications

Typical starting force @ 20°c



Coil Specifications

Maximum Duty Cycle	100%	50%	25%	10%
Maximum ON Time (seconds)	∞	360	32	8
Maximum ON Time (seconds)	∞	470	120	32
Watts (@20° C)	10	20	40	100
Ampere Turns (@ 20° C)	1166	1649	2332	3688

Coil Data

avg. (2XX)	Resistance (@ 20°C)	# Turns	Nominal DC Voltage			
23	1.96	536	4.4	6.3	8.9	14.0
24	2.69	600	5.2	7.3	10.4	16.4
25	4.89	840	7.0	9.9	14.0	22.0
26	8.44	1128	9.2	13.0	18.4	29.0
27	11.5	1260	10.7	15.2	21.0	34.0
28	19.2	1645	13.8	19.6	28.0	44.0
29	31.2	2104	17.7	25.0	35.0	56.0
30	49.6	2646	22.0	31.0	45.0	70.0
31	77.4	3280	28.0	39.0	56.0	88.0
32	119.0	4026	35.0	49.0	69.0	109.0
33	202.0	5317	45.0	64.0	90.0	142.0

NSF Controls reserves the right to amend specification without prior notice. (Rev 08/21) www.nsfcontrols.co.uk

NSF Controls Ltd | Ingrow Bridge Works | Keighley | West Yorkshire | BD21 5EF | UK | E: info@nsfcontrols.co.uk | T: +44(0)1535 661144