

# Open Frame Solenoid

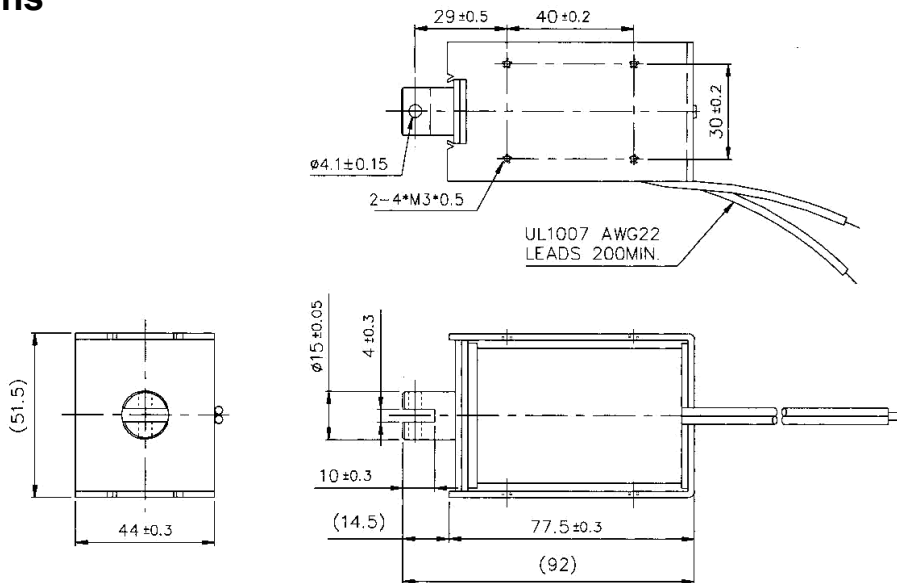
## Pull—SDO 1578L



# NSF

Innovative solutions  
for a changing world

### Dimensions



Solenoid shown in energised position

### General Specifications

**Dielectric Strength:** 1000 VRMS 1 minute

**Insulation Grade:** Class A (105°C) Lead Wire

**Life Expectancy:** Standard Life 500,000 cycles minimum

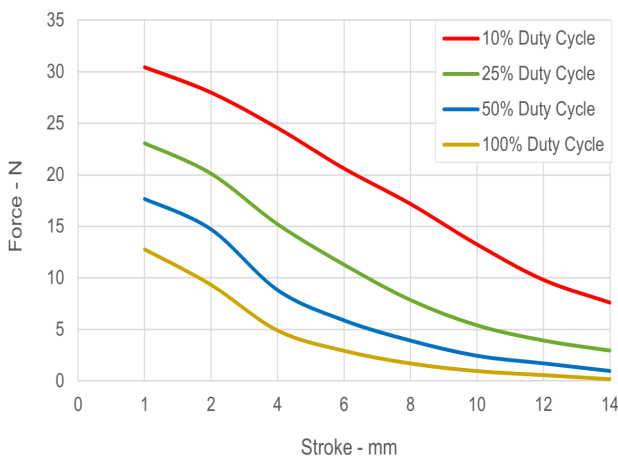
**Operating Temp. Range:** -20°C— +40 °C

**Solenoid Weight:** 815g

**Plunger Weight:** 92g

### Performance Specifications

Typical Starting Force @ 20°C



### Coil Specifications

Maximum Duty Cycle (%)	Continuous	50%	25%	10%		
MAX. "on" time in seconds	∞	160	80	32		
Watts at 20°C	13	26	52	130		
Ampere-turns at 20°C	2030	2870	4060	6430		
Type no.	Resistance (20°C) Ω+10%	No. turns	Volts DC			
SDO-1578L06—	2.8	940	6	8.5	12	19
SDO-1578L12—	11.1	1930	12	17	24	38
SDO-1578L24—	44.3	3820	24	34	48	76

NSF Controls reserves the right to amend specification without prior notice. (Rev 08/21) [www.nsfcontrols.co.uk](http://www.nsfcontrols.co.uk)

NSF Controls Ltd | Ingrow Bridge Works | Keighley | West Yorkshire | BD21 5EF | UK | E:info@nsfcontrols.co.uk | T: +44(0)1535 661144