

Open Frame Solenoid

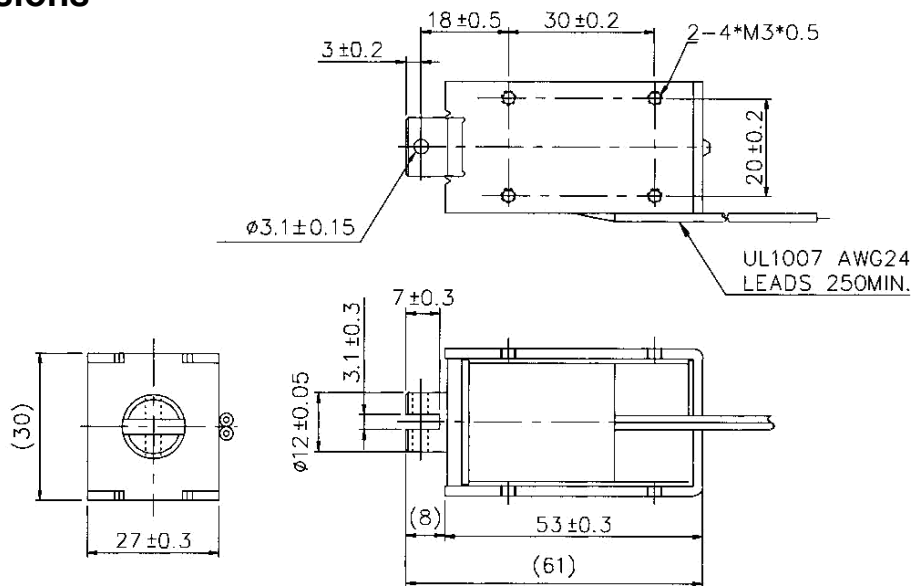
Pull—SDO 1253L



NSF

Innovative solutions
for a changing world

Dimensions



Solenoid shown in energised position

General Specifications

Dielectric Strength: 1000 VRMS 1 minute

Insulation Grade: Class A (105°C) Lead Wire

Life Expectancy: Standard Life 500,000 cycles minimum

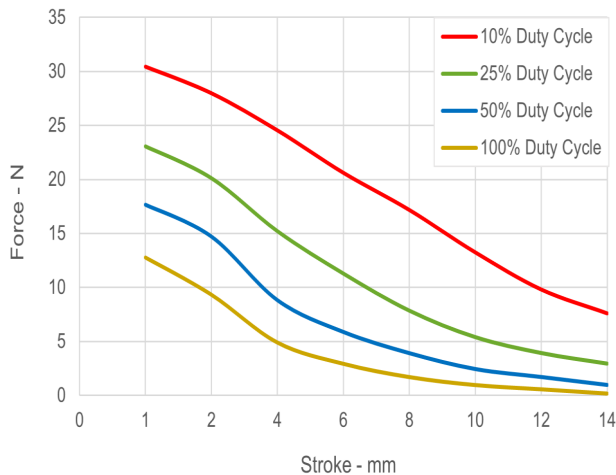
Operating Temp. Range: -20°C— +40 °C

Solenoid Weight: 185g

Plunger Weight: 39g

Performance Specifications

Typical Starting Force @ 20°C



Coil Specifications

Maximum Duty Cycle (%)		Continuous	50%	25%	10%	
MAX. "on" time in seconds		∞	140	50	9	
Watts at 20°C		6	12	24	60	
Ampere-turns at 20°C		937	1325	1875	2964	
Type no.	Resistance (20°C) Ω+10%	No. turns	Volts DC			
SDO-1253L06—	6.5	910	6	8.5	12	19
SDO-1253L12—	26.2	1800	12	17	24	38
SDO-1253L24—	105	3748	24	34	48	76

NSF Controls reserves the right to amend specification without prior notice. (Rev 08/21) www.nsfcontrols.co.uk

NSF Controls Ltd | Ingrow Bridge Works | Keighley | West Yorkshire | BD21 5EF | UK | E: info@nsfcontrols.co.uk | T: +44(0)1535 661144