

Open Frame Solenoid

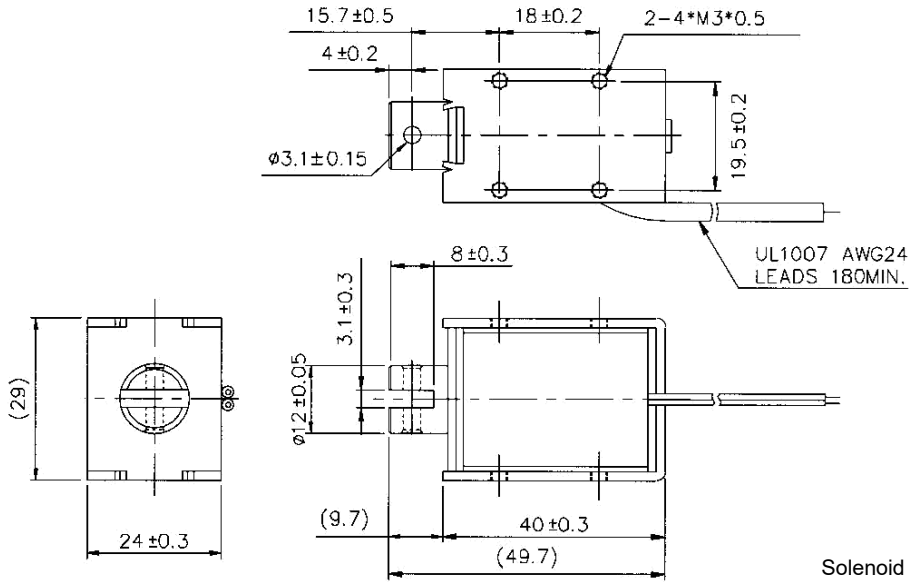
Pull—SDO 1240L



NSF

Innovative solutions
for a changing world

Dimensions



Solenoid shown in energised position

General Specifications

Dielectric Strength: 1000 VRMS 1 minute

Insulation Grade: Class A (105°C) Lead Wire Class A (105°C)

Life Expectancy: Standard Life 500,000 cycles minimum

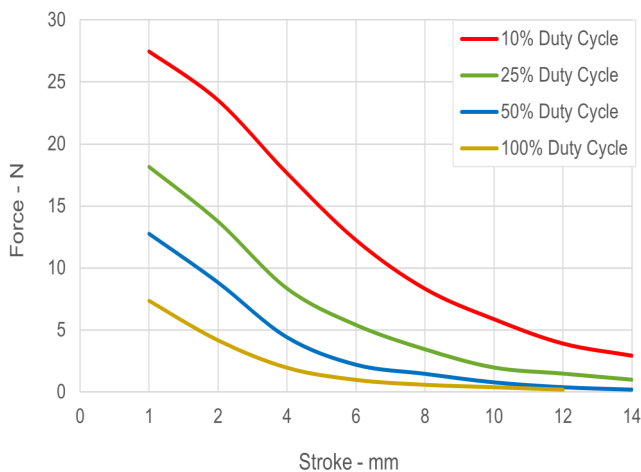
Operating Temp. Range: -20°C — +40 °C

Solenoid Weight: 133g

Plunger Weight: 31g

Performance Specifications

Typical Starting Force @ 20°C



Coil Specifications

Maximum Duty Cycle (%)	Continuous	50%	25%	10%		
MAX. "on" time in seconds	∞	100	36	7		
Watts at 20°C	4.2	8.4	16.8	42		
Ampere-turns at 20°C	655	925	1310	2075		
Type no.	Resistance (20°C) Ω+10%	No. turns	Volts DC			
SDO-1240L06—	8	930	6	8.5	12	19
SDO-1240L12—	32	1850	12	17	24	38
SDO-1240L24—	128	3680	24	34	48	76

NSF Controls reserves the right to amend specification without prior notice. (Rev 08/21) www.nsfcontrols.co.uk

NSF Controls Ltd | Ingrow Bridge Works | Keighley | West Yorkshire | BD21 5EF | UK | E: info@nsfcontrols.co.uk | T: +44(0)1535 661144