

# Open Frame Solenoid

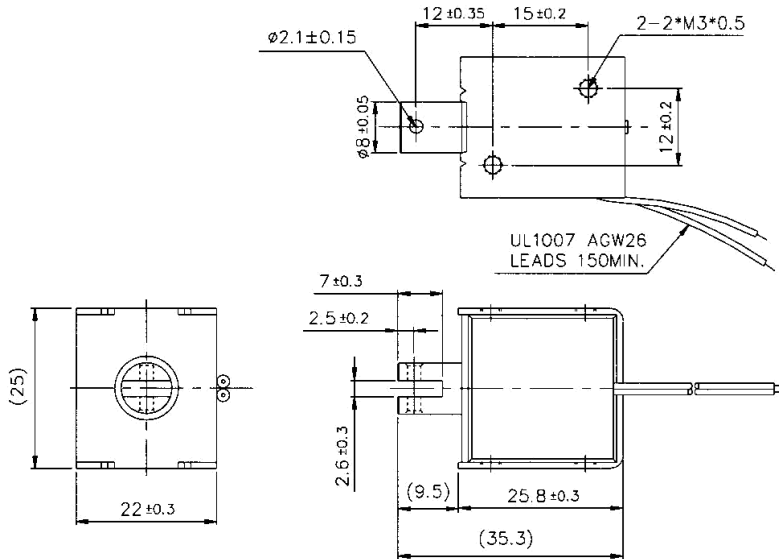
## Pull—SDO 0826L



# NSF

Innovative solutions  
for a changing world

### Dimensions



Solenoid shown in energised position

### General Specifications

**Dielectric Strength:** 1000 VRMS 1 minute

**Insulation Grade:** Class A (105°C) Lead Wire

**Life Expectancy:** Standard Life 500,000 cycles minimum

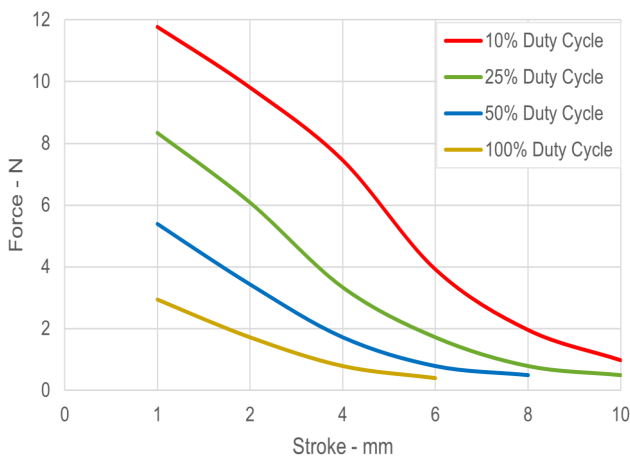
**Operating Temp. Range:** -20°C — +40 °C

**Solenoid Weight:** 58g

**Plunger Weight:** 8.8g

### Performance Specifications

Typical Starting Force @ 20° c



### Coil Specifications

Maximum Duty Cycle (%)		Continuous	50%	25%	10%	
MAX. "on" time in seconds		∞	100	36	7	
Watts at 20°C		2.8	5.6	11.2	28	
Ampere-turns at 20°C		436	617	872	1380	
Type no.	Resistance (20°C) Ω±10%	No. turns	Volts DC			
SDO-0826L06—	13	937	6	8.5	12	19
SDO-0826L12—	51	1868	12	17	24	38
SDO-0826L24—	206	3742	24	34	48	76

NSF Controls reserves the right to amend specification without prior notice. (Rev 08/21) [www.nsfcontrols.co.uk](http://www.nsfcontrols.co.uk)

NSF Controls Ltd | Ingrow Bridge Works | Keighley | West Yorkshire | BD21 5EF | UK | E: [info@nsfcontrols.co.uk](mailto:info@nsfcontrols.co.uk) | T: +44(0)1535 661144