

Open Frame Solenoid

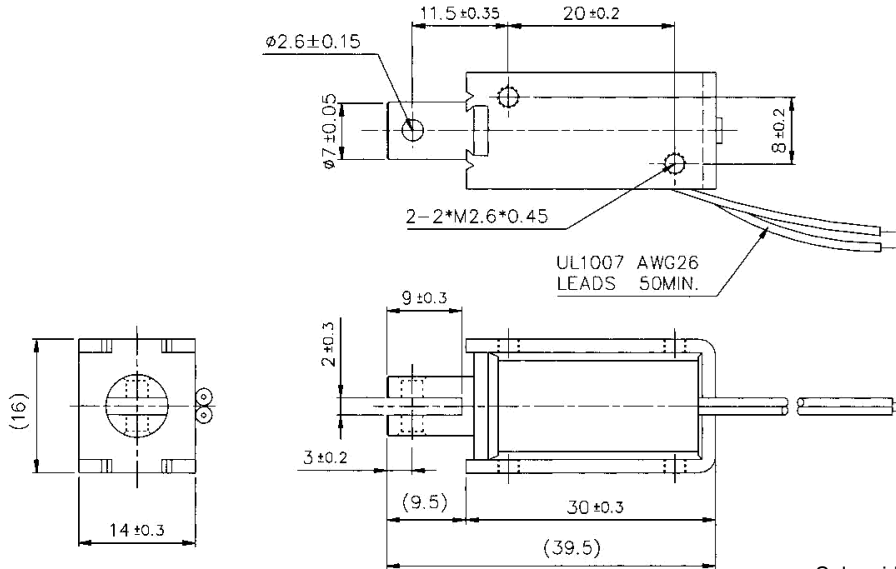
Pull—SDO 0730L



NSF

Innovative solutions
for a changing world

Dimensions



Solenoid shown in energised position

General Specifications

Dielectric Strength: 1000 VRMS 1 minute

Insulation Grade: Class A (105°C) Lead Wire

Life Expectancy: Standard Life 500,000 cycles minimum

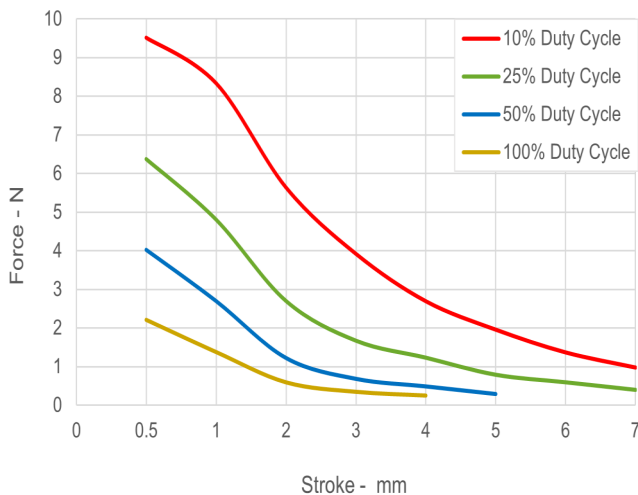
Operating Temp. Range: -20°C— +40 °C

Solenoid Weight: 32.5g

Plunger Weight: 7.5g

Performance Specifications

Typical Starting Force @ 20° c



Coil Specifications

| Maximum Duty Cycle (%) | | Continuous | 50% | 25% | 10% | |
|---------------------------|-------------------------|------------|----------|-----|------|----|
| MAX. "on" time in seconds | | ∞ | 55 | 19 | 3 | |
| Watts at 20°C | | 2.2 | 4.4 | 8.8 | 22 | |
| Ampere-turns at 20°C | | 358 | 507 | 716 | 1134 | |
| Type no. | Resistance (20°C) Ω+10% | No. turns | Volts DC | | | |
| SDO-0730L06— | 16.4 | 979 | 6 | 8.5 | 12 | 19 |
| SDO-0730L12— | 65.5 | 1954 | 12 | 17 | 24 | 38 |
| SDO-0730L24— | 262 | 3908 | 24 | 34 | 48 | 76 |

NSF Controls reserves the right to amend specification without prior notice. (Rev 08/21) www.nsfcontrols.co.uk

NSF Controls Ltd | Ingrow Bridge Works | Keighley | West Yorkshire | BD21 5EF | UK | E: info@nsfcontrols.co.uk | T: +44(0)1535 661144