

Open Frame Solenoid

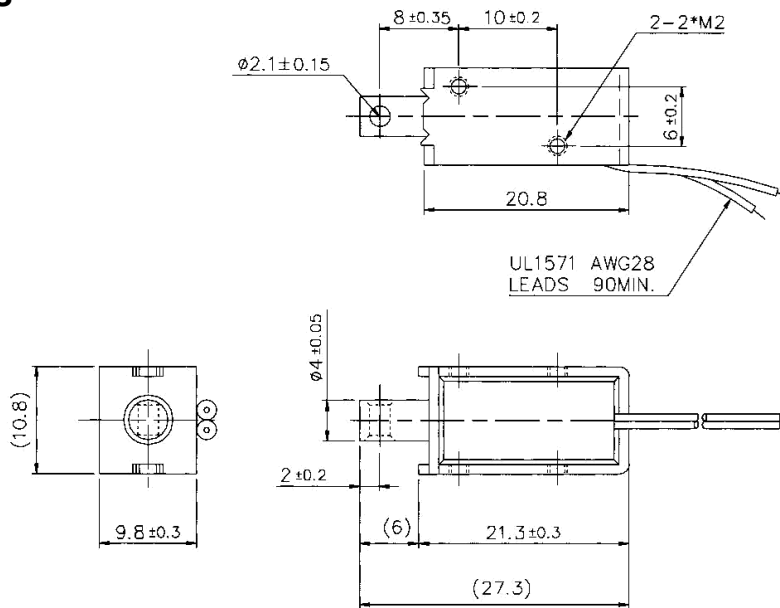
Pull - SDO 0421L



NSF

Innovative solutions
for a changing world

Dimensions



Solenoid shown in energised position

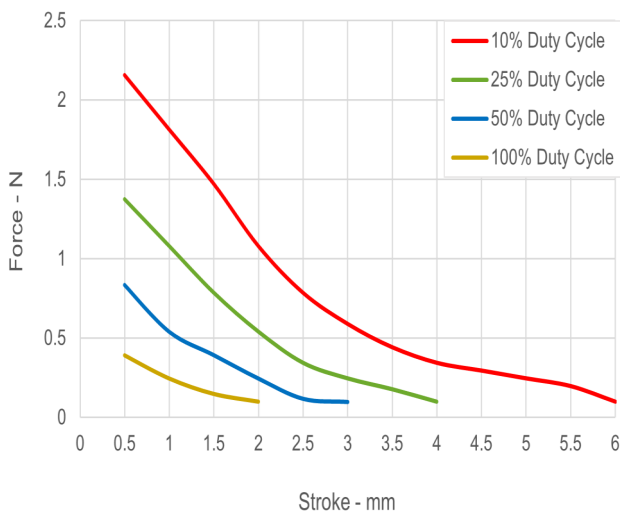
General Specifications

Dielectric Strength: 1000 VRMS 1 minute
Insulation Grade: Class A (105°C) Lead Wire
Life Expectancy: Standard Life 500,000 cycles minimum

Operating Temp. Range: -20°C — +40 °C
Solenoid Weight: 9.5g
Plunger Weight: 1.9g

Performance Specifications

Typical Starting Force @ 20°C



Coil Specifications

Maximum Duty Cycle (%)		Continuous	50%	25%	10%
MAX. "on" time in seconds		∞	50	18	2
Watts at 20°C		1.1	2.2	4.4	11
Ampere-turns at 20°C		198	281	396	627
Type no.	Resistance (20°C) $\Omega \pm 10\%$	No. turns	Volts DC		
SDO-0421L06—	32.7	1079	6	8.5	12
SDO-0421L12—	131	2162	12	17	24
SDO-0421L24—	524	4323	24	34	48

NSF Controls reserves the right to amend specification without prior notice. (Rev 08/21) www.nsfcontrols.co.uk

NSF Controls Ltd | Ingrow Bridge Works | Keighley | West Yorkshire | BD21 5EF | UK | E: info@nsfcontrols.co.uk | T: +44(0)1535 661144