

Magnetic Latching Solenoid

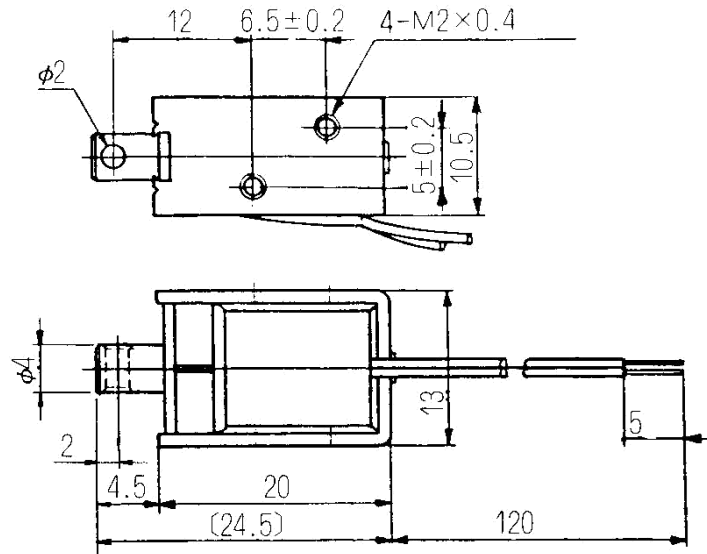
Pull - SDK 0420L



NSF

Innovative solutions
for a changing world

Dimensions



Solenoid shown in energised position

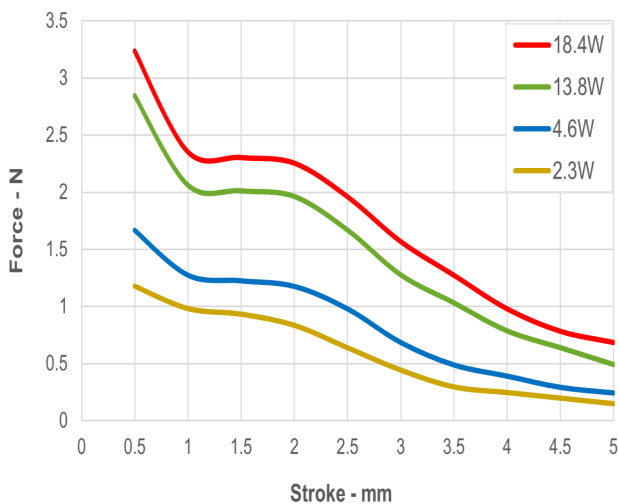
General Specifications

Dielectric Strength: 1000 VRMS 1minute
Insulation Grade: Class A (105°C) Lead Wire
Life Expectancy: Standard Life 500,000 cycles
 minimum

Operating Temp Range: -20°C - +40 °C
Solenoid Weight: 13.5 g
Plunger Weight: 1.7 g

Performance Specifications

Typical Starting Force @ 20°C



Coil Specifications

Maximum Duty Cycle (%)		Continuous	33%	20%	14%	
MAX. "on" time in seconds		∞	14	10	6	
Watts at 20°C		2.3	4.6	13.8	18.4	
Ampere-turns at 20°C		200	361	445	530	
Type no.	Resistance (20°C) Ω+10%	No. turns	Volts DC			
SDK-0420L-6	16	1191	6	10	13	16
SDK-0420L-12	63	2471	12	21	27	32
SDK-0420L-24	250	4920	24	42	54	63

NSF Controls reserves the right to amend specification without prior notice. (Rev 09/22) www.nsfcontrols.co.uk

NSF Controls Ltd | Ingrow Bridge Works | Keighley | West Yorkshire | BD21 5EF | UK | E:enquiries@nsfcontrols.co.uk | T: +44(0)1535 661144