

Tubular Solenoid

Long Life Linear

Push SDT2652S-2XX

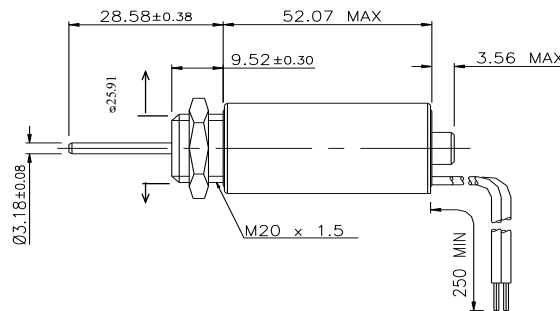


- **Dielectric Strength:** 1000 VRMS
- **Recommended Heat Sink:** Maximum watts dissipated by the solenoid are based on an unrestricted flow of air at 20° C mounted on the equivalent of an aluminium plate 102 x 102 x 3.2mm min.

General Specifications:

- **Coil Resistance:** +/- 5% tolerance
- **Holding Force:** 29.4 N @ 20° C
- **Weight:** 171 g
- **Plunger Weight:** 30.2 g

Solenoid shown in energised position

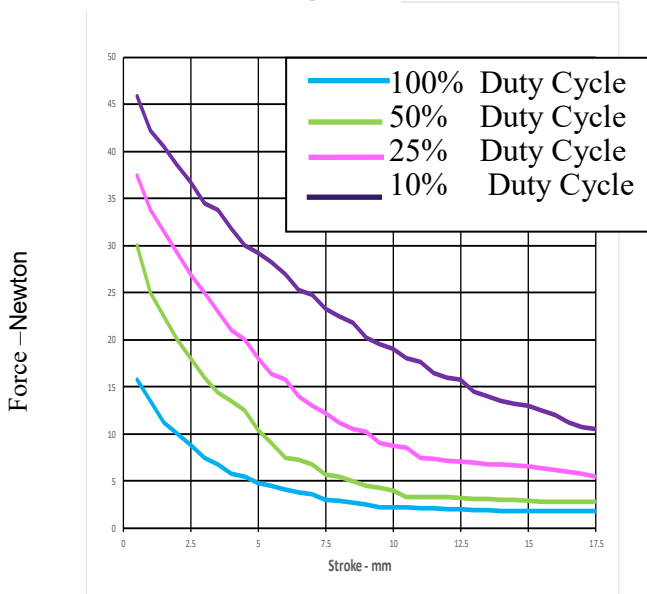


Notes

1. Continuously pulsed at stated watts and duty cycle
2. Single pulsed at stated watts (with coil at ambient room temperature 20°C)
3. Other coil gauges available, consult factory
4. Reference number of turns
5. Anti rotational mounting bushes available on request

Performance Specification

Typical Starting Force @ 20°C



How to Order

Add the coil avg. number to the part number
SDT2652S-2XX

Alternatively please specify:

- Voltage
- Duty Cycle
- Starting Force
- Stroke Required

Coil Specifications

Maximum Duty Cycle	100%	50%	25%	10%
Maximum ON Time (seconds) When pulsed continuously (1)	∞	360	32	8
Maximum ON Time (seconds) for single pulse (2)	∞	470	120	32
Watts (@20° C)	10	20	40	100
Ampere Turns (@ 20° C)	1166	1649	2332	3688

Coil Data

avg. (2XX) (3)	Resistance (@ 20°C)	# Turns (4)	Nominal DC Voltage			
23	1.96	536	4.4	6.3	8.9	14.0
24	2.69	600	5.2	7.3	10.4	16.4
25	4.89	840	7.0	9.9	14.0	22.0
26	8.44	1128	9.2	13.0	18.4	29.0
27	11.5	1260	10.7	15.2	21.0	34.0
28	19.2	1645	13.8	19.6	28.0	44.0
29	31.2	2104	17.7	25.0	35.0	56.0
30	49.6	2646	22.0	31.0	45.0	70.0
31	77.4	3280	28.0	39.0	56.0	88.0
32	119.0	4026	35.0	49.0	69.0	109.0
33	202.0	5317	45.0	64.0	90.0	142.0

Please Note: In line with continued development we reserve the right to amend specification without prior notice (Rev 02/19)

NSF Controls Ltd | Ingrow Bridge Works | Keighley | West Yorkshire | BD21 5EF | UK | Registered in England No. 3378269

T: +44 (0) 1535 661 144 | F: +44 (0) 1535 661 474 | E: info@nsfcontrols.co.uk | www.nsfcontrols.co.uk