

Tubular Solenoid

Long Life Linear

Push SDT1327S-2XX

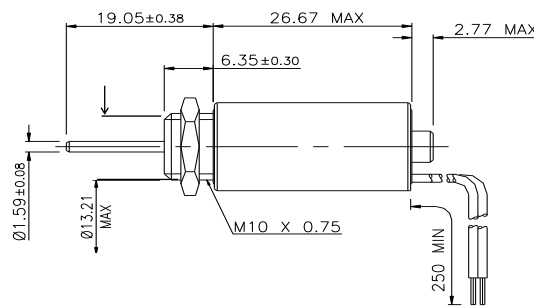


- **Dielectric Strength:** 500 VRMS
- **Recommended Heat Sink:** Maximum watts dissipated by the solenoid are based on an unrestricted flow of air at 20° C mounted on the equivalent of an aluminium plate 51 x 51 x 3.2mm min.

General Specifications:

- **Coil Resistance:** +/- 5% tolerance
- **Holding Force:** 4.0 N @ 20° C
- **Weight:** 22.6 g
- **Plunger Weight:** 2.8 g

Solenoid shown in energised position

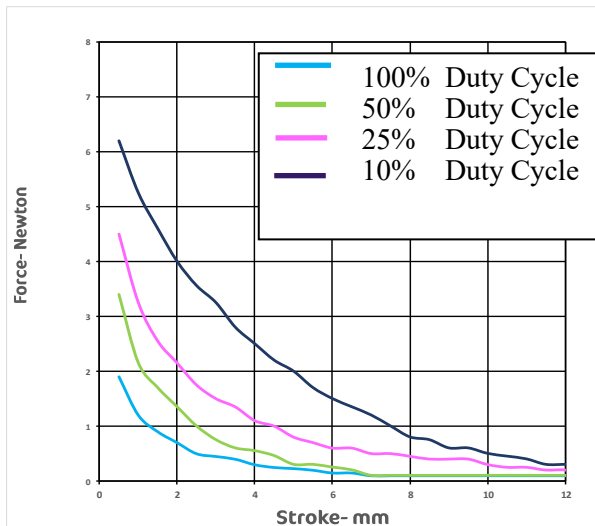


Notes

1. Continuously pulsed at stated watts and duty cycle
2. Single pulsed at stated watts (with coil at ambient room temperature 20°C)
3. Other coil gauges available, consult factory
4. Reference number of turns
5. Anti rotational mounting bushes available on request

Performance Specification

Typical Starting Force @ 20°C



How to Order

Add the coil avg. number to the part number
SDT1327S-2XX

Alternatively please specify:

- Voltage
- Duty Cycle
- Starting Force
- Stroke Required

Coil Specifications

Maximum Duty Cycle	100%	50%	25%	10%
Maximum ON Time (seconds) When pulsed continuously (1)	∞	50	5	2
Maximum ON Time (seconds) for single pulse (2)	∞	140	30	8
Watts (@20° C)	4	8	16	40
Ampere Turns (@ 20° C)	497	704	994	1573

Coil Data

avg. (2XX) (3)	Resistance (@ 20°C)	# Turns (4)	Nominal DC Voltage			
27	1.43	306	2.4	3.4	4.8	7.6
28	1.95	342	2.8	3.9	5.6	8.8
29	3.84	508	3.9	5.5	7.8	12.4
30	5.29	572	4.6	6.5	9.2	14.5
31	9.56	795	6.2	8.8	12.4	19.6
32	16.54	1068	8.1	11.5	16.3	25.7
33	22.60	1194	9.5	13.4	19.0	30.0
34	37.41	1547	12.2	17.3	24.0	39.0
35	60.71	1976	15.6	22.0	31.0	49.0
36	96.19	2475	19.6	28.0	39.0	62.0
37	149.93	3060	24.5	35.0	49.0	77.0

Please Note: In line with continued development we reserve the right to amend specification without prior notice (Rev 02/19)

NSF Controls Ltd | Ingrow Bridge Works | Keighley | West Yorkshire | BD21 5EF | UK | Registered in England No. 3378269

T: +44 (0) 1535 661 144 | F: +44 (0) 1535 661 474 | E: info@nsfcontrols.co.uk | www.nsfcontrols.co.uk