

# TC Rotary Wafer Switch



## General Specifications:

Model TC has excellent characteristics and has many applications in special test equipment, tank circuits and low power transmitters.

- **Maximum Operating Voltage:** 3KV dc / 3KV rms at 1 MHz at normal atmospheric pressure; 1.5KV rms at 1MHz at atmospheric pressure of 120cms
- **Contact Rating - Carrying:** 20A continuous
- **Proof Voltage:** 8KV dc at normal atmospheric pressure
- **Contact Rating - Switching:** 3KV dc 250 microamps; 300VA at 20MHz (Max current 2.5A; voltage 2KV rms)
- **Insulation Resistance:**  $10^5$  Gohms at 500Vdc
- **Contact Resistance:** Less than 5 milliohms

## Maximum No of Wafers & Switching

Approximately 8 wafers maximum, depending on specification

Due to the construction of the rotor, maximum switching is limited to:

1 Pole

2 to 11 Positions per Wafer

### Contacts:

- Clips - Silver plated, silver faced bi-metal
- Rotor Blades - Silver faced phosphor bronze
- Standard - shorting (make before break)
- Optional - non-shorting (break before make)

### Insulation:

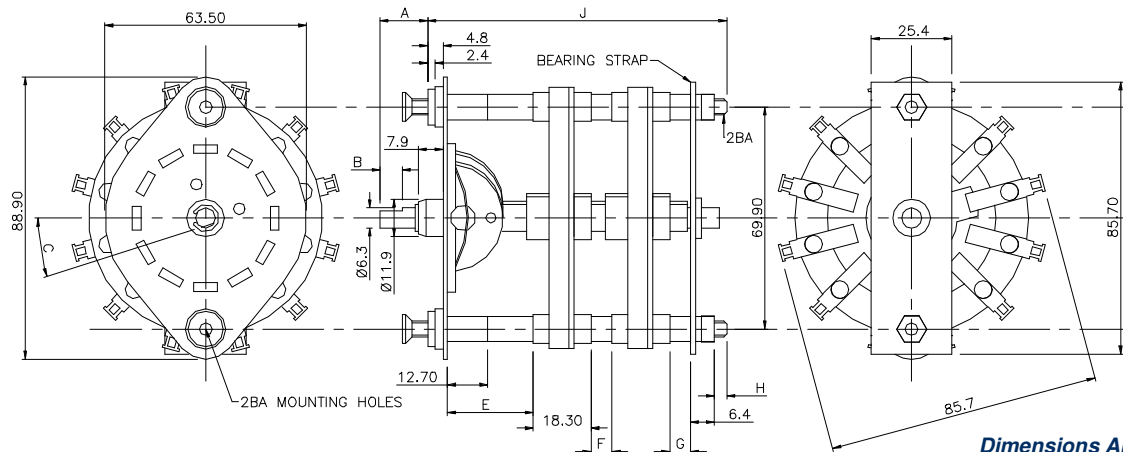
Highest grade, low loss, silicone impregnated ceramic

### Finish:

All ferrous parts, except index spring and balls, zinc plated and passivated

### Mounting:

Unless otherwise specified, supplied complete with 2BA x 1/4" screws with countersunk heads



*Dimensions Are In Millimetres*

## Key To Details

- A Shaft Length:** Optional  $\pm 0.40$  (0.016") / (25mm if not specified)
- B Flat Length:** To specification  $\pm 0.40$  (0.016")  
Special shaft terminations may be provided to special requirements
- C Angle of Flat:** To specification  $\pm 2^\circ$ . Specify position of flat, with switch shaft in **fully anti-clockwise** position when viewed from front or knob end
- D Flat Thickness:** Standard  $5.55 \pm 0.15$  (0.218  $\pm$  0.005") for grub screws  
 $4.95 \pm 0.05$  (0.195  $\pm$  0.002") for push-on knobs
- E First Spacer:** 23.8 (0.937") minimum
- F Intermediate Spacers:** 15.9 (0.625") minimum
- G Spacer Length:** If no spacer 9.5 (0.375"). Any length spacer may be inserted at this point
- H Thread Extension:** 2BA any length to specification
- I Overall Length:** Specify maximum overall length if important

Please Note: In line with continued development we reserve the right to amend specification without prior notice (Rev 01/12)

NSF Controls Ltd | Ingrow Bridge Works | Keighley | West Yorkshire | BD21 5EF | UK | Registered in England No. 3378269

T: +44 (0) 1535 661 144 | F: +44 (0) 1535 661 474 | E: [info@nsfcontrols.co.uk](mailto:info@nsfcontrols.co.uk) | [www.nsfcontrols.co.uk](http://www.nsfcontrols.co.uk)