

# Tubular Solenoid

## Long Life Linear

Push **SDT2652S-2XX**

Pull **SDT2652L-2XX**

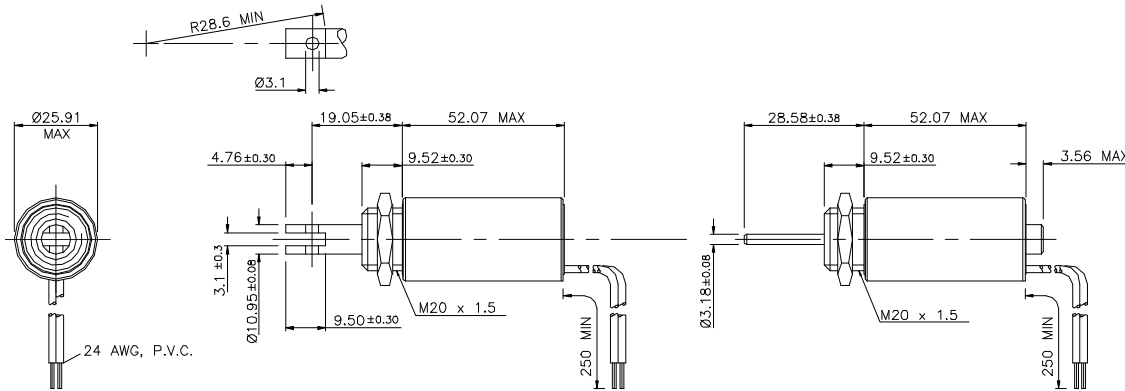
- **Dielectric Strength:** 1000 VRMS
- **Recommended Heat Sink:** Maximum watts dissipated by the solenoid are based on an unrestricted flow of air at 20°C mounted on the equivalent of an aluminium plate 102 x 102 x 3.2mm min.



## General Specifications:

- **Coil Resistance:** +/- 5% tolerance
- **Holding Force:** 29.4 N @ 20°C
- **Weight:** 176.8 g Pull / 171 g Push
- **Plunger Weight:** 40.6 g Pull / 30.2 g Push

Solenoid shown in energised position

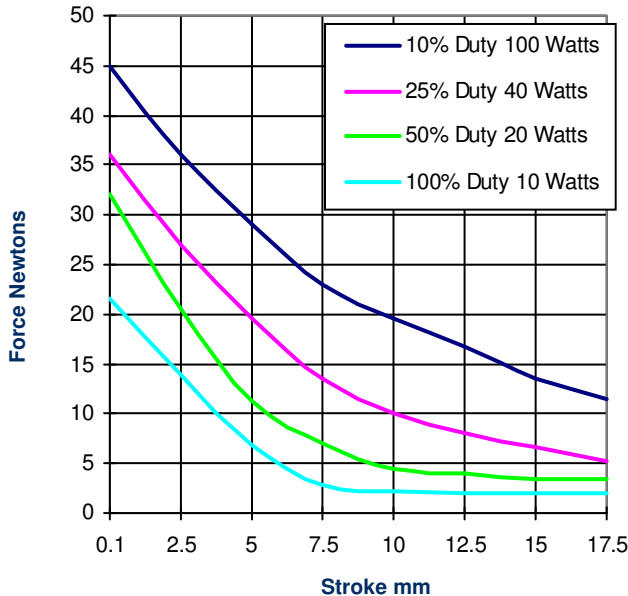


## Notes

1. Continuously pulsed at stated watts and duty cycle
2. Single pulsed at stated watts (with coil at ambient room temperature 20°C)
3. Other coil gauges available, consult factory
4. Reference number of turns
5. Anti rotational mounting bushes available on request

## Performance Specification

### Typical Starting Force @ 20°C



## How to Order

Add the coil awg. number to the part number, alternatively please specify:

- Voltage
- Duty Cycle
- Starting Force
- Stroke Required
- Any Special Requirements

## Coil Specifications

Maximum Duty Cycle	100%	50%	25%	10%
Maximum ON Time (seconds) When pulsed continuously (1)	∞	360	32	8
Maximum ON Time (seconds) for single pulse (2)	∞	470	120	32
Watts (@20°C)	10	20	40	100
Ampere Turns (@ 20°C)	1166	1649	2332	3688

### Coil Data

awg. (2XX) (3)	Resistance (@ 20°C)	# Turns (4)	Nominal DC Voltage			
23	1.96	536	4.4	6.3	8.9	14.0
24	2.69	600	5.2	7.3	10.4	16.4
25	4.89	840	7.0	9.9	14.0	22.0
26	8.44	1128	9.2	13.0	18.4	29.0
27	11.5	1260	10.7	15.2	21.0	34.0
28	19.2	1645	13.8	19.6	28.0	44.0
29	31.2	2104	17.7	25.0	35.0	56.0
30	49.6	2646	22.0	31.0	45.0	70.0
31	77.4	3280	28.0	39.0	56.0	88.0
32	119.0	4026	35.0	49.0	69.0	109.0
33	202.0	5317	45.0	64.0	90.0	142.0

Please Note: In line with continued development we reserve the right to amend specification without prior notice (Rev 01/12)

NSF Controls Ltd | Ingrow Bridge Works | Keighley | West Yorkshire | BD21 5EF | UK | Registered in England No. 3378269

T: +44 (0) 1535 661 144 | F: +44 (0) 1535 661 474 | E: info@nsfcontrols.co.uk | www.nsfcontrols.co.uk