

Size 6S Rotary Solenoid

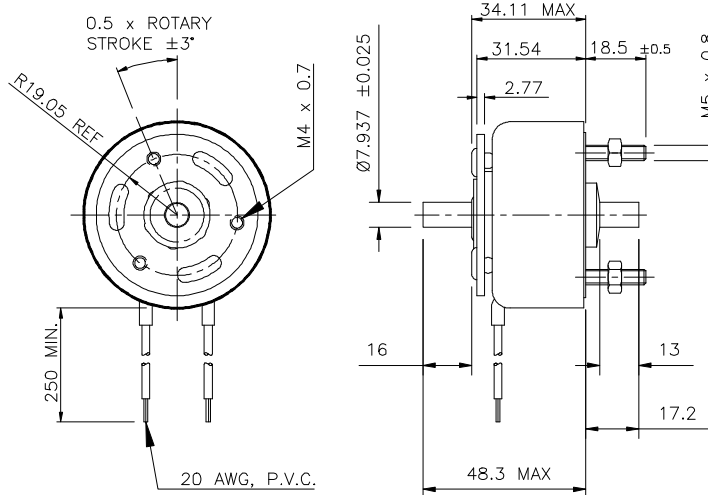


General Specifications:

- **Dielectric Strength:** 23-31 awg. 1200 VRMS / 32-33 awg. 1500 VRMS
- **Recommended Heat Sink:** Maximum watts dissipated by the solenoid are based on an unrestricted flow of air at 20°C mounted on the equivalent of an aluminium plate 314.3 x 314.3 x 3.2mm min.

- **Coil Resistance:** +/- 5% tolerance
- **Starting Torque:** Gross torque values are shown For net starting torque, subtract return spring torque
- **Return Spring Torque:** 56.5 mNm +/- 20%
- **Weight:** 510.3 g

Solenoid shown in the de-energised position



Notes

1. Continuously pulsed at stated watts and duty cycle
2. Single pulsed at stated watts (with coil at ambient room temperature 20°C)
3. Other coil gauges available, consult factory
4. Reference number of turns
5. Gross starting torques are shown For net starting torque, subtract return spring torque of 56.5mNm +/-20%
6. Holding torque is shown at the stabilised temperature of 105°C, 100% duty cycle

Performance Specification

Starting Torque (mNm) @ 20° C (5)						
Maximum Duty Cycle	100%	50%	25%	10%	5%	
Stroke	Holding Torque (6)					
25°	1017	519.8	1005.7	1830.6	3141.4	3457.8
35°	384.2	734.5	1356.0	2101.8	2316.5	
45°	678.0	192.0	395.5	734.5	1234.0	1367.3
67.5°	180.8	350.3	632.8	994.4	1096.1	
95°	339.0	101.7	192.1	372.9	587.6	644.1

How to Order - Please Specify

- Direction and angle of rotation
- Coil awg, or voltage and duty cycle
- Supplementary 'X' features i.e. method of load take off
- Operating temperature range
- Any special features, if complex please submit a drawing of your requirements

Coil Specifications

Maximum Duty Cycle	100%	50%	25%	10%	5%		
Maximum ON Time (sec) When pulsed continuously (1)		87	36	13	4.6		
Maximum ON Time (sec) for single pulse (2)		140	44	16	5.7		
Watts (@20° C)	32	64	128	320	640		
Ampere Turns (@ 20° C)	1240	1760	2490	3920	5555		
Coil Data							
awg. (3)	Resistance (@ 20°C)	# Turns (4)	Nominal DC Voltage				
23	3.59	432	10.3	14.6	21.0	33.0	46.0
24	5.24	500	13.0	18.4	26.0	41.0	58.0
25	9.51	708	16.7	24.0	33.0	53.0	75.0
26	14.44	858	21.0	30.0	42.0	66.0	94.0
27	23.69	1110	27.0	38.0	53.0	84.0	119.0
28	38.27	1411	34.0	48.0	68.0	106.0	151.0
29	54.62	1638	41.0	59.0	83.0	131.0	185.0
30	93.67	2184	53.0	76.0	107.0	168.0	238.0
31	143.0	2645	67.0	95.0	134.0	211.0	299.0
32	223.0	3328	83.0	118.0	167.0	262.0	372.0
33	338.0	4004	105.0	149.0	210.0	331.0	469.0

Please Note: In line with continued development we reserve the right to amend specification without prior notice (Rev 01/12)

NSF Controls Ltd | Ingrow Bridge Works | Keighley | West Yorkshire | BD21 5EF | UK | Registered in England No. 3378269

T: +44 (0) 1535 661 144 | F: +44 (0) 1535 661 474 | E: info@nsfcontrols.co.uk | www.nsfcontrols.co.uk