

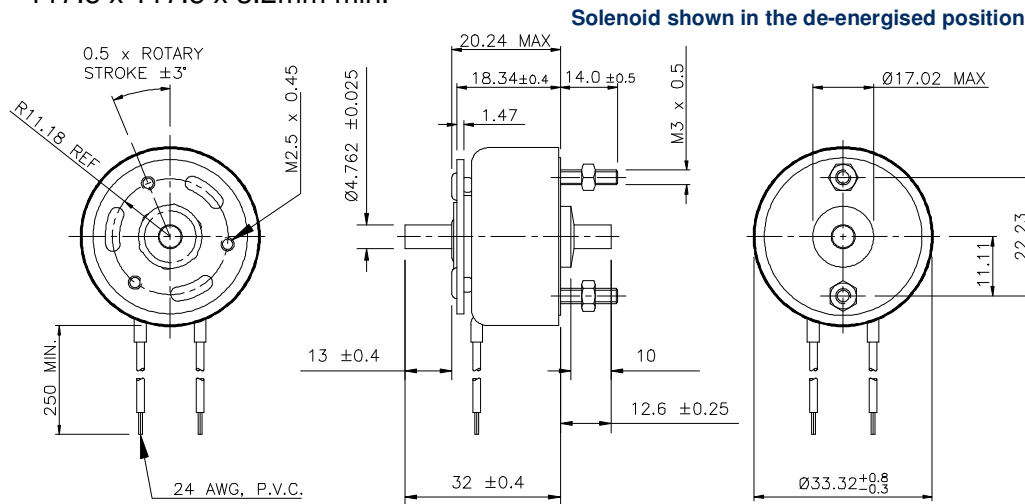
Size 3E Rotary Solenoid



General Specifications:

- **Dielectric Strength:** 23-27 awg. 1000 VRMS / 28-33 awg. 1200 VRMS
- **Recommended Heat Sink:** Maximum watts dissipated by the solenoid are based on an unrestricted flow of air at 20°C mounted on the equivalent of an aluminium plate 117.5 x 117.5 x 3.2mm min.

- **Coil Resistance:** +/- 5% tolerance
- **Starting Torque:** Gross torque values are shown For net starting torque, subtract return spring torque
- **Return Spring Torque:** 13.6 mNm +/- 20%
- **Weight:** 92.2 g



Notes

1. Continuously pulsed at stated watts and duty cycle
2. Single pulsed at stated watts (with coil at ambient room temperature 20°C)
3. Other coil gauges available, consult factory
4. Reference number of turns
5. Gross starting torques are shown. For net starting torque, subtract return spring torque of 13.6mNm +/-20%
6. Holding torque is shown at the stabilised temperature of 105°C, 100% duty cycle

Performance Specification

Starting Torque (mNm) @ 20° C (5)						
Maximum Duty Cycle	100%	50%	25%	10%	5%	
Stroke	Holding Torque (6)					
25°	101.7	39.55	90.4	158.2	305.1	361.6
35°	79.1	29.38	67.8	113.0	226.0	259.9
45°	67.8	16.95	45.2	90.4	158.2	203.4
67.5°	56.5	11.3	22.6	45.2	79.1	101.7

How to Order - Please Specify

- Direction and angle of rotation
- Coil awg, or voltage and duty cycle
- Supplementary 'X' features i.e. method of load take off
- Operating temperature range
- Any special features, if complex please submit a drawing of your requirements

Coil Specifications

Maximum Duty Cycle	100%	50%	25%	10%	5%
Maximum ON Time (sec) When pulsed continuously (1)		100	36	8	2.8
Maximum ON Time (sec) for single pulse (2)		162	44	9	3.2
Watts (@20° C)	9	18	36	90	180
Ampere Turns (@ 20° C)	535	756	1070	1690	2397
Coil Data					
awg. (3)	Resistance (@20°C)	# Turns (4)	Nominal DC Voltage		
23	0.70	145	2.6	3.7	5.2 8.2 11.6
24	1.18	192	3.3	4.6	6.6 10.4 14.7
25	1.97	252	4.2	5.9	8.4 13.2 18.7
26	3.26	328	5.3	7.5	10.6 16.8 24.0
27	5.04	405	6.7	9.4	13.3 21.0 30.0
28	8.02	510	8.4	11.9	16.8 27.0 38.0
29	12.21	627	10.4	14.7	21.0 33.0 47.0
30	19.20	780	13.2	18.6	26.0 42.0 59.0
31	31.84	1008	16.9	24.0	34.0 53.0 76.0
32	46.97	1215	21.0	29.0	41.0 65.0 93.0
33	75.30	1530	26.0	37.0	53.0 83.0 118.0

Please Note: In line with continued development we reserve the right to amend specification without prior notice (Rev 01/12)

NSF Controls Ltd | Ingrow Bridge Works | Keighley | West Yorkshire | BD21 5EF | UK | Registered in England No. 3378269

T: +44 (0) 1535 661 144 | F: +44 (0) 1535 661 474 | E: info@nsfcontrols.co.uk | www.nsfcontrols.co.uk